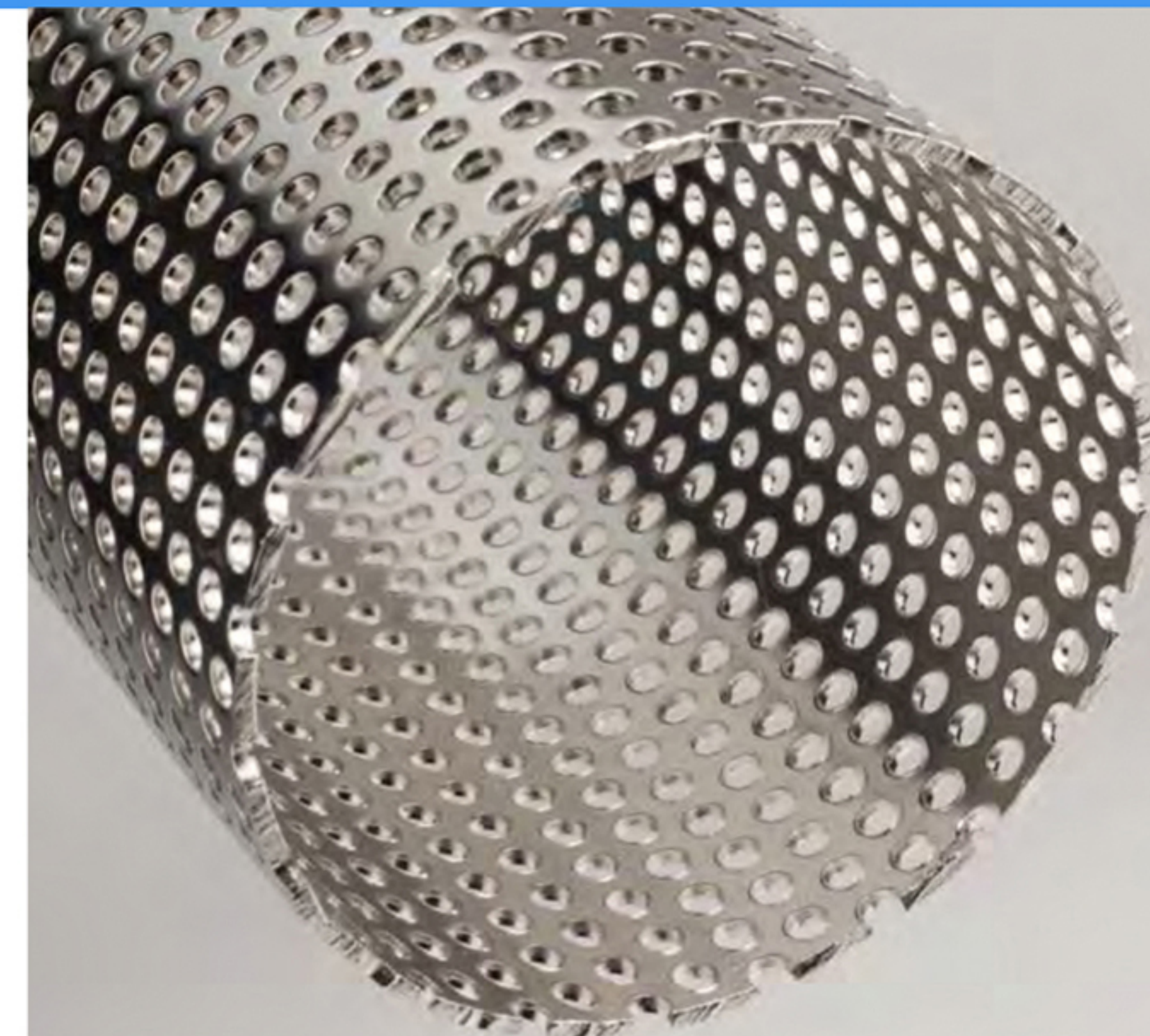
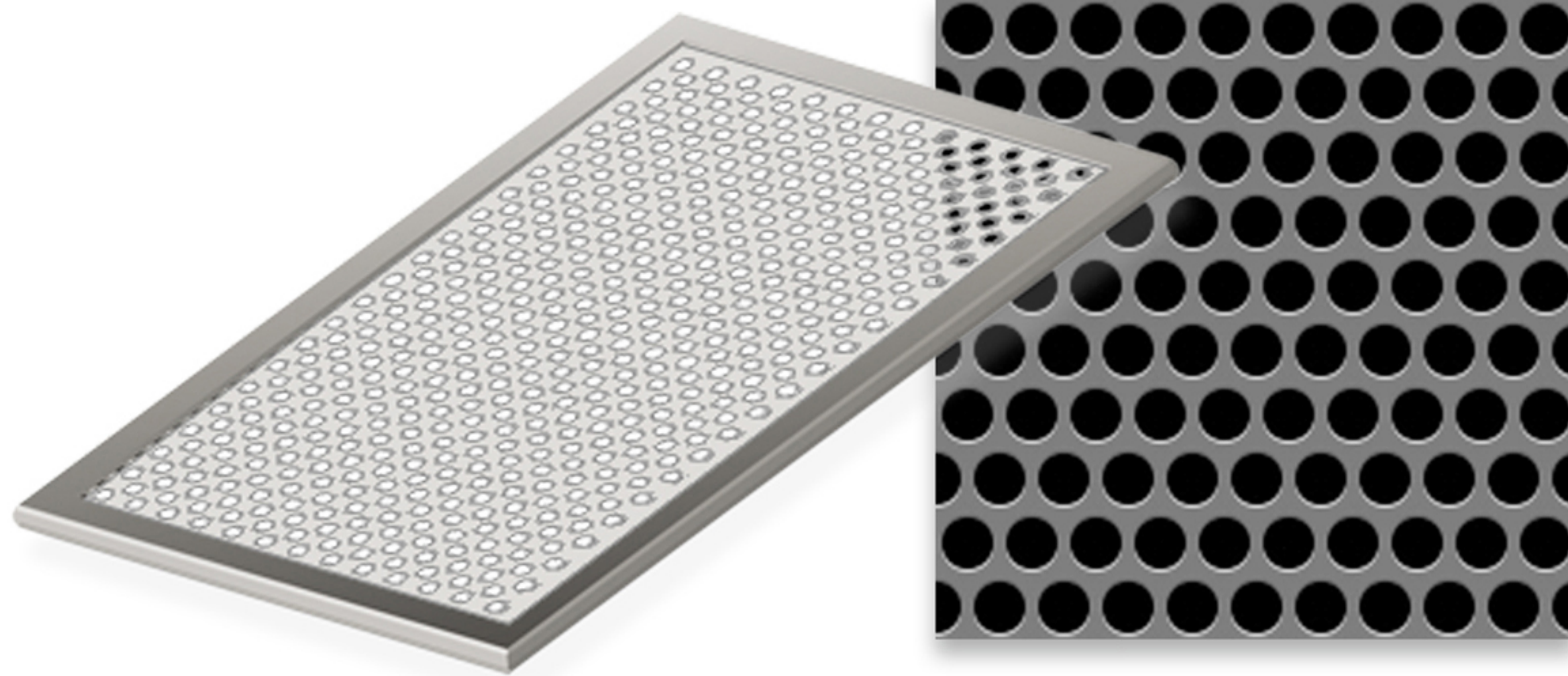


# PERFORATED SHEETS



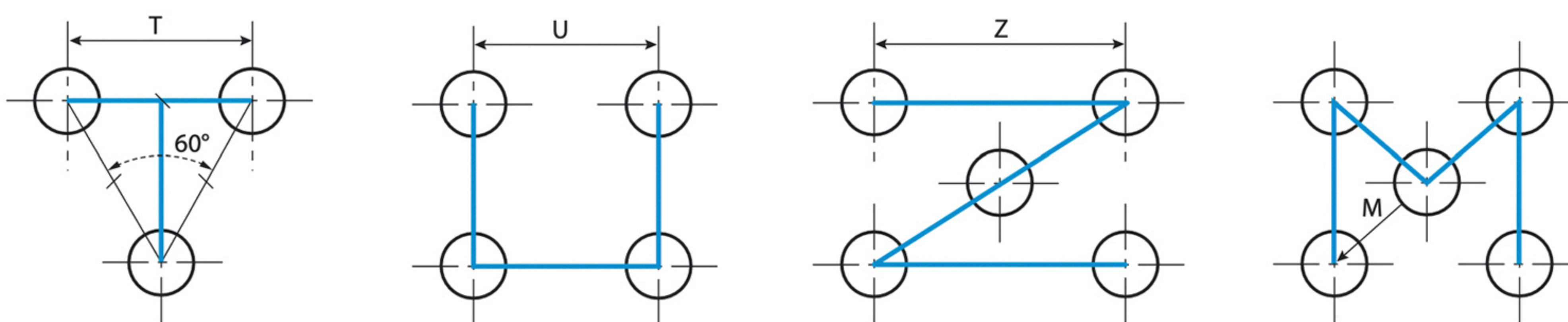
Used in industrial or tertiary buildings, infrastructures, in the form of work platforms, walkways, floors, stamped sheets provide both lightness, load resistance and safety.

Non-slip surfaces, gutters, stair nosings, railings, steps for stairs, access steps, walkways, platforms, decking, running boards, floors for baskets, settling tanks, light diffusers, partitions, acoustic screens, cladding walls, sand removal plates, overroofs, street furniture, etc.

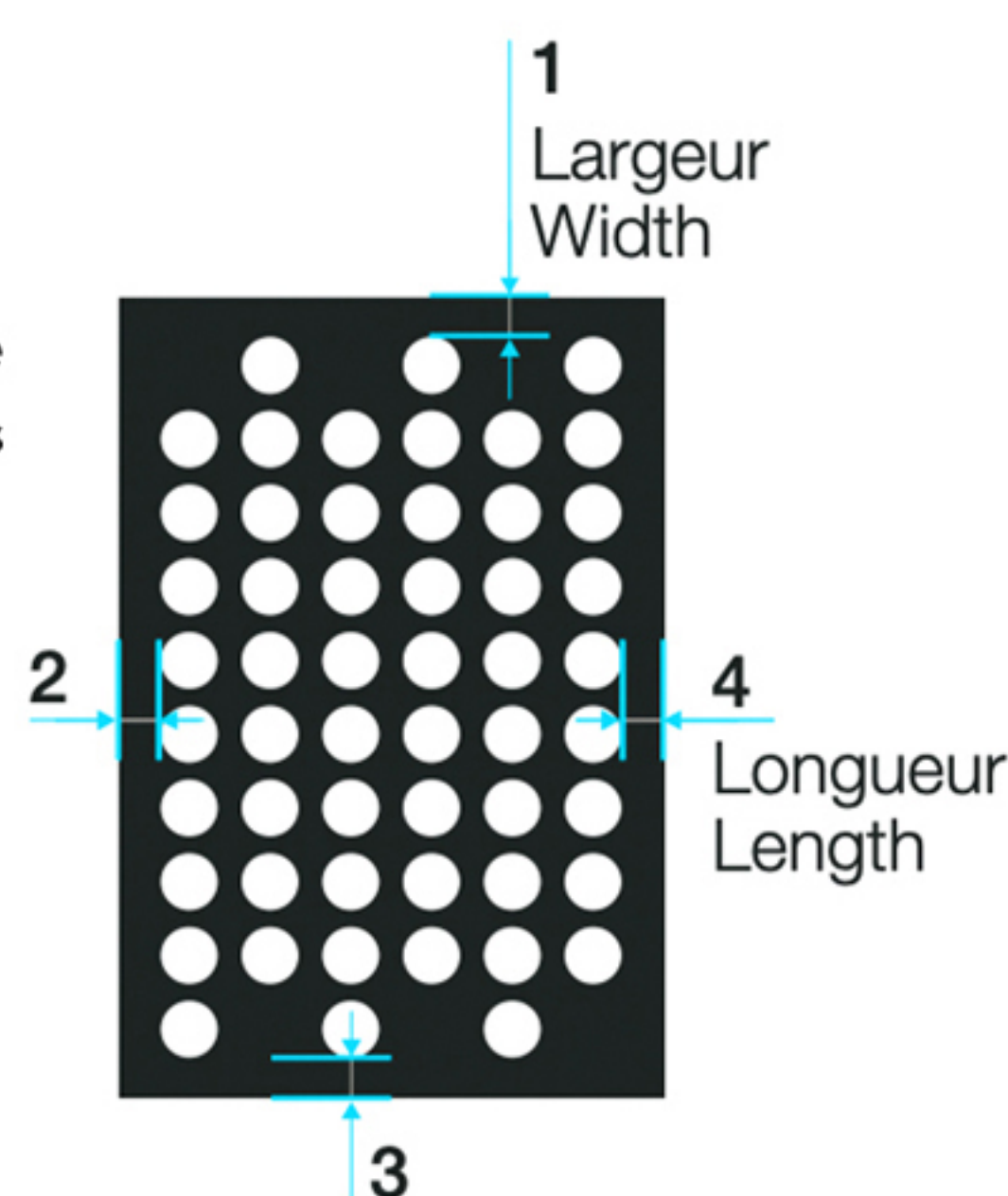
Dressing, decoration, separation, ventilation, flow of liquids, non-slip...



The layout of the perforations is defined by one of the letters T-U-M-Z according to the arrangement of the holes relative to each other. Direction A or B depends on the positioning of the holes in relation to the length of the sheet.

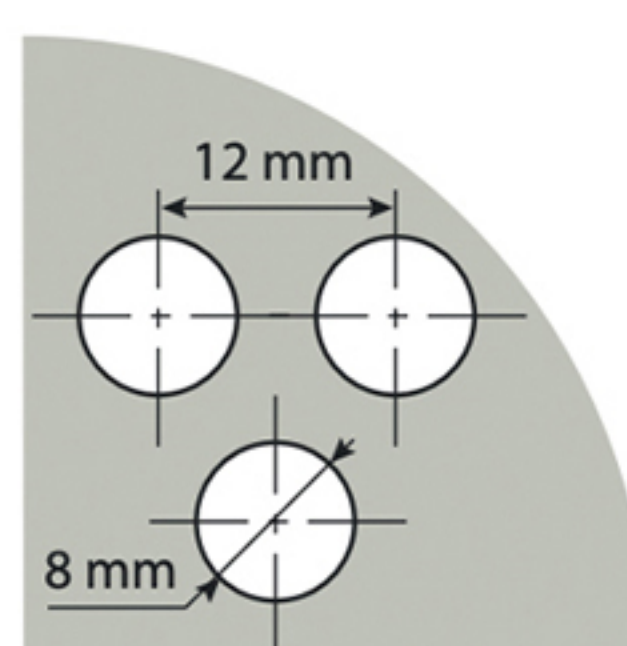


Les bordures se définissent comme ceci : La dimension des bordures pleines est donnée dans l'ordre 1-2-3-4



A perforated sheet is defined as follows (mm): shape of the hole diameter of the hole arrangement center distance:

- R8 112 means a round perforation of 8mm arranged in a T with a center distance of 12mm
- C6 U10 means 6mm square perforation arranged in a U with a center distance of 10mm



R8 T12

